



TEK Standard Air Valve

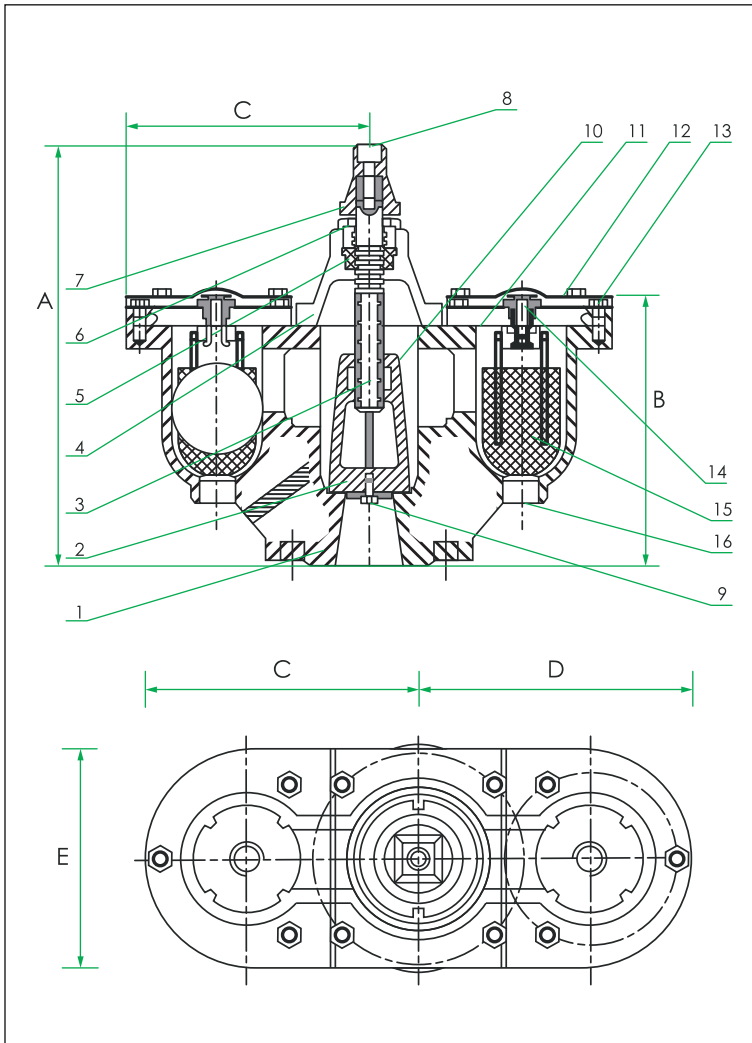
Double Flange Ductile Iron Double Orifice Air Relief Valve with Integral Isolating Valve PN16



TEK Standard Air Valve

Ductile Iron Double Orifice Air Relief Valve with Integral Isolating Valve PN16

- Diameter Range : DN50-DN200
- Flange Drilling : BS 4504 PN16, other standard upon request.
- Coating : High solid epoxy coating as standard, other coating upon request
- Features : Removable cover casing for easy inspection and maintenance of orifice float (ball).
- Specification : JKR 20200-0097-01 / AWWA C512:2004



DIMENSIONS

DN	A	B	C	D	E
50	415	240	245	245	200
80	425	245	245	245	200
100	480	325	285	245	245
150	515	415	370	286	250
200	615	475	475	315	310

SPECIFICATIONS

No	Part	Material Description
1	Body	Ductile Iron
2	Stopper	Ductile Iron
3	Stem	Stainless Steel BS970 Part1
4	Bonnet	Ductile Iron
5	Cartridge	Gunmetal
6	Gland Nut	Gunmetal
7	Spindle Cap	Ductile Iron
8	Bolts	Stainless Steel
9	Bolts	Stainless Steel
10	Spindle Nut	Gunmetal
11	Middle Plate	Ductile Iron
12	Cover	Ductile Iron
13	Bolts	Stainless Steel
14	Air Release Nipple	EPDM
15	Ball	ABS
16	Plug	Brass

NOTE:
 1. UNIT OF MEASUREMENT: MM
 2. THE DESIGNS, MATERIALS AND SPECIFICATIONS SHOWN ARE SUBJECT TO CHANGE WITHOUT NOTICE DUE TO OUR CONTINUING PROGRAMME OF PRODUCT DEVELOPMENT.
 3. SIZES ABOVE 200MM ARE AVAILABLE UPON REQUEST.